

**VIEW LOOKING INTO CONNECTORS ON MODULE**



Module-Centre Console-Conn A

WAKE UP(0)	C0428-1	Sht 15
SWITCH FWR(0)	C0428-2	Shts 5,58
LEFT MAP(0)	C0428-3	Sht 45
MAP DIM(0)	C0428-4	Sht 45
CAN LS+(0)	C0428-5	Sht 13
CAN LS-(0)	C0428-6	Sht 13
HMAC ECU-TX(0)	C0428-8	Sht 4,5
ECT(0)	C0428-10	Sht 4,6
OND (NOBY)	C0428-11	Sht 15
POWER(0)	C0428-12	Sht 15
KCE(0)	C0428-13	Sht 57
RIGHT MAP(0)	C0428-14	Sht 45
CAN LS+(0)	C0428-15	Sht 13
CAN LS-(0)	C0428-16	Sht 13
ILR POWER(0)	C0428-17	Sht 15
HMAC ECU-RX(0)	C0428-18	Sht 4,5
OND (QUET)	C0428-19	Sht 15
EXT. AMB TEMP(0)	C0428-20	Sht 4,6

Module-Centre Console-Conn B

WIPER FAST(0)	C0429-1	Sht 58
WIPER PARK(0)	C0429-2	Sht 58
WIPER SLOW(0)	C0429-3	Sht 58
FUCK WIPER(0)	C0429-4	Sht 58
WIPER SLOW(0)	C0429-5	Sht 58
WIPER FAST(0)	C0429-6	Sht 58
INTERMITTENT(0)	C0429-7	Sht 58
WASH(0)	C0429-8	Sht 58

Module-Centre Console-Conn C

TWILIGHT(0)	C0430-1	Sht 29
HEADLAMP(0)	C0430-2	Sht 29
MD SW(0)	C0430-3	Sht 46
HRW SW(0)	C0430-5	Sht 36
DI RIGHT(0)	C0430-6	Sht 31
RECIRC TT(0)	C0430-8	Sht 4
HAZ FL LLL(0)	C0430-10	Sht 31
TWILIGHT(0)	C0430-11	Sht 29
AC REQUEST SW(0)	C0430-14	Sht 4
RECIRC SW(0)	C0430-15	Sht 4
DI LEFT(0)	C0430-16	Sht 31
MD TT(0)	C0430-17	Sht 46
AC REQUEST TT(0)	C0430-18	Sht 4
HRW TT(0)	C0430-19	Sht 36
HAZ TT(0)	C0430-20	Sht 31

**ECU A (E-Engine)**

**ECU B (E-Engine)**

**ECU A (C-Cowl)**

**ECU B (C-Cowl)**

**ECU A (T-Trans)**

**ECU B (T-Trans)**

CD1(0)	C0636-1	Sht 38
INJ1(0)	C0636-2	Sht 40
NUR(0)	C0636-3	Sht 40
NUR(0)	C0636-4	Sht 40
NUR(0)	C0636-5	Sht 40
NUR(0)	C0636-7	Sht 40
TPRN(0)	C0636-8	Sht 43
NUR(0)	C0636-9	Sht 40
NUR(0)	C0636-10	Sht 40
NUR(0)	C0636-11	Sht 40
CDS(0)	C0636-12	Sht 38
WTO(0)	C0636-13	Sht 40
FC-(0)	C0636-14	Sht 18
VRSEN(0)	C0636-15	Sht 42
THROTTLE POT BREF(0)	C0636-18	Sht 43
TP1-NK(0)	C0636-19	Sht 43
CD3(0)	C0636-24	Sht 38
CD5(0)	C0636-25	Sht 38
CD1(0)	C0636-29	Sht 43
TP2-PS(0)	C0636-29	Sht 43
HEG01(0)	C0636-30	Sht 37
HEG02(0)	C0636-31	Sht 37
ECT(0)	C0636-33	Sht 42
OKP+(0)	C0636-34	Sht 42
CDE(0)	C0636-35	Sht 38
FRTS(0)	C0636-36	Sht 42
FRPT(0)	C0636-37	Sht 42
CD2(0)	C0636-38	Sht 38
CD4(0)	C0636-39	Sht 38
BREF(0)	C0636-40	Sht 38
SIGRTN(0)	C0636-41	Sht 42
CRANK POS-(0)	C0636-45	Sht 37,40,42
THROTTLE MTR+(0)	C0636-47	Sht 42
THROTTLE MTR-(0)	C0636-48	Sht 42
HTR1(0)	C0636-49	Sht 37
HTR2(0)	C0636-50	Sht 37

CD1(0)	C0636-1	Sht 38
INJ1(0)	C0636-2	Sht 40
NUR(0)	C0636-3	Sht 40
NUR(0)	C0636-4	Sht 40
NUR(0)	C0636-5	Sht 40
NUR(0)	C0636-7	Sht 40
EVAP(0)	C0636-8	Sht 43
NUR(0)	C0636-9	Sht 40
NUR(0)	C0636-10	Sht 40
NUR(0)	C0636-11	Sht 40
CD3(0)	C0636-12	Sht 38
WTO(0)	C0636-13	Sht 40
FC-(0)	C0636-14	Sht 18
VRSEN(0)	C0636-15	Sht 42
THROTTLE POT BREF(0)	C0636-18	Sht 43
TP1-NK(0)	C0636-19	Sht 43
CD3(0)	C0636-24	Sht 38
CD5(0)	C0636-25	Sht 38
CD1(0)	C0636-29	Sht 43
TP2-PS(0)	C0636-29	Sht 43
HEG01(0)	C0636-30	Sht 37
HEG02(0)	C0636-31	Sht 37
ECT(0)	C0636-33	Sht 42
OKP+(0)	C0636-34	Sht 42
CDE(0)	C0636-35	Sht 38
FRTS(0)	C0636-36	Sht 42
FRPT(0)	C0636-37	Sht 42
CD2(0)	C0636-38	Sht 38
CD4(0)	C0636-39	Sht 38
BREF(0)	C0636-40	Sht 38
SIGRTN(0)	C0636-41	Sht 42
CRANK POS-(0)	C0636-45	Shts 37,40,42
THROTTLE MTR+(0)	C0636-47	Sht 41
THROTTLE MTR-(0)	C0636-48	Sht 43
HTR1(0)	C0636-49	Sht 37
HTR2(0)	C0636-50	Sht 37
ECT(0)	C0636-53	Sht 37
OKP+(0)	C0636-54	Sht 37
CD2(0)	C0636-55	Sht 37
FRTS(0)	C0636-56	Sht 37
FRPT(0)	C0636-57	Sht 37
CD4(0)	C0636-58	Sht 37
CD3(0)	C0636-59	Sht 37
BREF(0)	C0636-60	Sht 37
SIGRTN(0)	C0636-62	Sht 37
CD7(0)	C0636-63	Sht 37
CD8(0)	C0636-64	Sht 37
DPFE(0)	C0636-65	Sht 37
CRANK POS-(0)	C0636-66	Sht 37
THROTTLE MTR+(0)	C0636-67	Sht 37
THROTTLE MTR-(0)	C0636-68	Sht 37
HTR1(0)	C0636-69	Sht 37
HTR2(0)	C0636-70	Sht 37

STRT_EN(0)	C0635-2	Sht 56
APP1 BREF(0)	C0635-4	Sht 43
APP1(0)	C0635-5	Sht 43
APP1(0)	C0635-6	Sht 43
APP1 RTN(0)	C0635-7	Sht 43
BRAKE PEDAL SWITCH(0)	C0635-8	Sht 34
BRAKE ON/OFF SWITCH(0)	C0635-9	Sht 34
CASE GROUND(0)	C0635-10	Sht 50
CB1+	C0635-11	Sht 14
MOTOR FUEL PUMP(0)	C0635-12	Sht 35
PSPT(0)	C0635-14	Sht 42
ACC(0)	C0635-15	Sht 5
APP2 BREF(0)	C0635-16	Sht 43
APP2(0)	C0635-17	Sht 43
APP2 RTN(0)	C0635-18	Sht 43
SCS(0)	C0635-19	Sht 57
RESTRAINT DEPLOY IND(0)	C0635-20	Sht 2
FUEL PUMP MONITOR(0)	C0635-21	Sht 35
OIL PR SW(0)	C0635-22	Sht 42
CB1-	C0635-23	Sht 14
POWERHOLD(0)	C0635-24	Sht 50
ACOR(0)	C0635-25	Sht 6
ACPT(0)	C0635-28	Sht 6
CST(0)	C0635-29	Sht 56
SCS RTN(0)	C0635-30	Sht 57
TXOUT(0)	C0635-31	Sht 54
EMV(0)	C0635-34	Sht 42
VPOWER(0)	C0635-35	Sht 50
VPOWER(0)	C0635-36	Sht 50
PATL(0)	C0635-37	Sht 27
PB(0)	C0635-38	Sht 56
CSBT(0)	C0635-39	Sht 56
HTR1(0)	C0635-40	Shts 6,42
SIGRTN(0)	C0635-41	Shts 6,42,56
RON(0)	C0635-42	Sht 54
ERV(0)	C0635-43	Sht 42
FEPS	C0635-44	Sht 14
KEEP ALIVE POWER(0)	C0635-45	Sht 50
POWER GROUND	C0635-47	Sht 50
POWER GROUND	C0635-48	Sht 50
POWER GROUND	C0635-49	Sht 50
IGNSNS(0)	C0635-50	Sht 50

APP1 BREF(0)	C0638-4	Sht 43
APP1(0)	C0638-5	Sht 43
APP1 RTN(0)	C0638-6	Sht 43
BRAKE PEDAL SWITCH(0)	C0638-7	Sht 34
BRAKE ON/OFF SWITCH(0)	C0638-8	Sht 34
CASE GROUND(0)	C0638-10	Sht 50
CB1+	C0638-11	Sht 14
MOTOR FUEL PUMP(0)	C0638-12	Sht 35
APP2 BREF(0)	C0638-16	Sht 43
APP2(0)	C0638-17	Sht 43
APP2 RTN(0)	C0638-18	Sht 43
RESTRAINT DEPLOY IND(0)	C0638-20	Sht 2
FUEL PUMP MONITOR(0)	C0638-21	Sht 35
CB1-	C0638-23	Sht 14
POWERHOLD(0)	C0638-24	Sht 50
VSS+(0)	C0638-32	Sht 41
VSS-(0)	C0638-33	Sht 41
VPOWER(0)	C0638-35	Sht 50
VPOWER(0)	C0638-36	Sht 50
FEPS	C0638-44	Sht 14
KEEP ALIVE POWER(0)	C0638-45	Sht 50
POWER GROUND	C0638-47	Sht 50
POWER GROUND	C0638-48	Sht 50
POWER GROUND	C0638-49	Sht 50
IGNSNS(0)	C0638-50	Sht 50

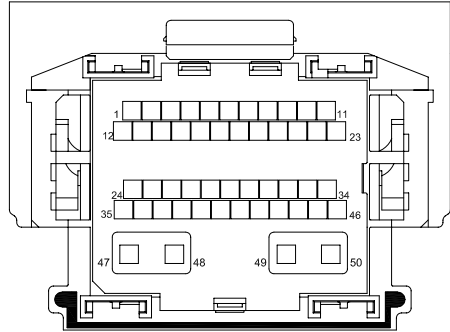
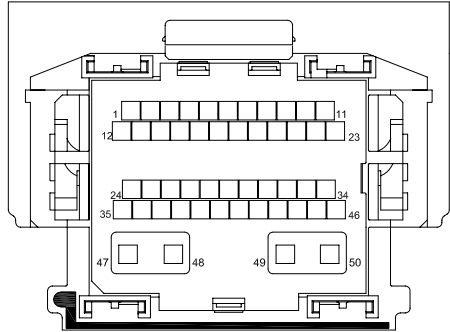
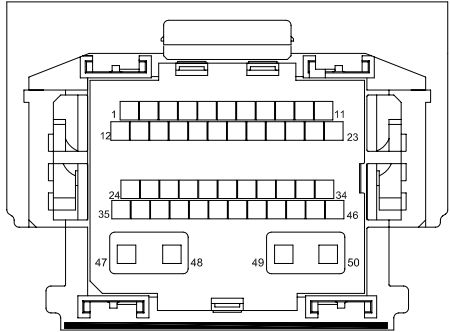
PRND(0)	C0634-4	Sht 8
MAF+(0)	C0634-9	Sht 40
MAF-(0)	C0634-10	Sht 40
SOLENOID(0)	C0634-13	Sht 41
CB2+	C0634-14	Sht 12
DRIVE TT(0)	C0634-17	Sht 9
SPORT TT(0)	C0634-18	Sht 8
MIL(0)	C0634-21	Sht 27
HEG01(0)	C0634-24	Sht 37
HEG02(0)	C0634-25	Sht 37
CB2-	C0634-26	Sht 12
REV TT(0)	C0634-28	Sht 8
PRND(0)	C0634-29	Sht 8
CB3+	C0634-30	Sht 14
CB3-	C0634-31	Sht 14
NEUTRAL TT(0)	C0634-32	Sht 14
SPORT SW(0)	C0634-33	Sht 9
BMP(0)	C0634-36	Sht 41
ENGFT(0)	C0634-38	Sht 9
BREF(0)	C0634-40	Shts 9,41
SIGRTN(0)	C0634-41	Shts 37,41
PARKS(0)	C0634-42	Shts 9,56
PUMP(0)	C0634-44	Sht 41
PARK TT(0)	C0634-45	Sht 8
HTR1(0)	C0634-47	Sht 37
HTR2(0)	C0634-48	Sht 37
HTR(0)	C0634-50	Sht 41

ECT(0)	C0637-4	Sht 42
PR/SEC(0)	C0637-6	Sht 37
MAF+(0)	C0637-9	Sht 40
MAF-(0)	C0637-10	Sht 40
CB2+	C0637-14	Sht 12
HEG01(0)	C0637-24	Sht 37
HEG02(0)	C0637-25	Sht 37
CB2-	C0637-26	Sht 12
CB3+	C0637-30	Sht 14
CB3-	C0637-31	Sht 14
CB2-	C0637-38	Sht 12
SIGRTN(0)	C0637-41	Sht 37
HTR1(0)	C0637-47	Sht 37
HTR2(0)	C0637-48	Sht 37

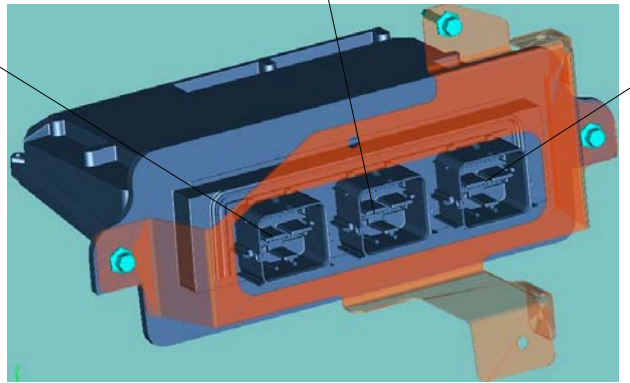
**ENGINE**

**COWL**

**TRANSMISSION**



NOTES -  
THE CONNECTOR VIEWS ARE LOOKING INTO THE ENGINE HARNESS CONNECTORS ON WIRE INSERTION SIDE.  
THE SHADED AREAS ARE LOOKING INTO THE ENGINE HARNESS CONNECTORS ON THE TERMINAL SIDE.



DRAWN BY AP  
DATE 13-07-07

TITLE CENTRE CONSOLE MODULE PINOUT, ENGINE ECU's (SPANISH OAK) PINOUT  
SUB-SYSTEM TITLE

PROJECT VH105/135 CPSC 00.06.51 AML DRG No.  
BUILD IB REV LEVEL 1 8G43-14T400-AA